

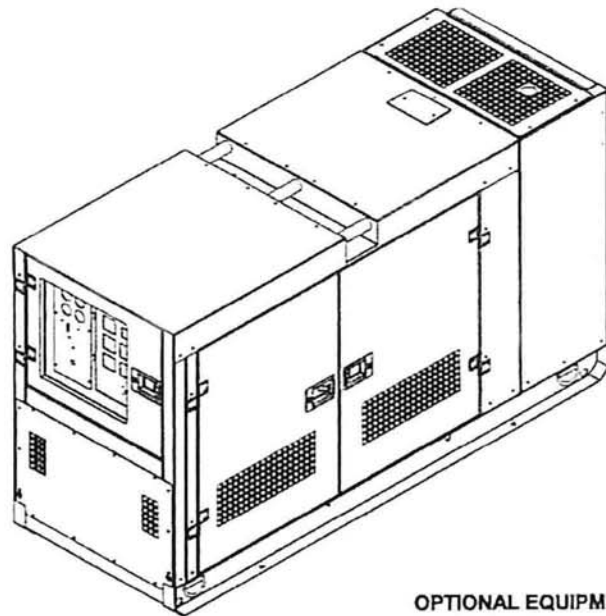
AMERICAN EAGLE AER LINE RENTAL

25 - 137 kVA GENERATORS

**QUIET • MOBILE • COMPACT
• RENTAL GENERATOR SET •**

STANDARD FEATURES

- Diesel engine 4-cycle water cooled.
- Brushless, automatic regulated, class H, drip-proof alternator.
- Automatic protection shutdowns.
- Volt selector switch with mechanical and electrical lock.
- Complete and illuminated control panel with electrical meters, engine gauges, Circuit Breaker and Auto-start module.
- Cooling radiator designed for tropical temperatures.
- Quiet rental spec 12 gauge steel enclosure with lifting points.
- Distribution panel with rated load lugs.
- Super critical silencer.
- Heavy-duty skid-type steel base frame.
- Dual fuel supply source; Internal Tank and external connection.
- Electronic speed governor.
- Battery, cables and Battery charger.



OPTIONAL EQUIPMENT

- Fuel Water Separator.
 - Auxiliary Fuel Pump.
 - Sub-Base Fuel Tank.
 - NiCad Battery.
 - Battery Warmer Plate.
 - Space Heater.
 - Temperature Rise Detector.
 - Microprocessor Control Panel.
 - Power Output Receptacles.
 - Trailer.
- Many other options available.

POWER RATINGS		AER25L	AER35J	AER50J	AER80J	AER100J	AER140J
OUTPUT	STANDBY (kW/kVA)	20/25	30/37.5	41/51.25	65/81.25	80/100	110/137.5
	PRIME (kW/kVA)	17/21.25	27/33.75	37/46.25	58/72.5	71/88.75	96/120
VOLTAGE	SINGLE PHASE	120/240	120/240	120/240	120/240	120/240	120/240
	THREE PHASE	208 220 240 416 440 480	208 220 240 416 440 480	208 220 240 416 440 480	208 220 240 416 440 480	208 220 240 416 440 480	208 220 240 416 440 480
AMPERAGE	Single phase 240	83	125	171	271	333	458
	Three phase 208	69	104	142	226	278	382
	Three phase 480	30	45	62	98	120	166

Ratings @ 60Hz (1800 rpm) Specifications are subject to change without notice. John Deere and the Deere Power Logo are registered trademarks of Deere and Company. Lister-Petter and the Lister-Petter Logo are registered trademarks of Lister-Petter, Inc.

EAGLE GENERATOR

Toll Free (866) 289-2473 • Fax (352) 465-2910
International Info Line (352) 465-7450
PO Box 969, Dunnellon, FL 34430 USA
e-mail: info@eaglegen.com
web: www.eaglegen.com